

UNDERCOUNTER HIGH TEMPERATURE
DISHWASHER, GLASSWASHER & SANITIZER

E54E-A



60 years of experience with evolving technology has produced the ECOLOGY E54E-A. Thesis offers a professional wash system, designed and created to provide excellent cleaning, hygiene and brightness. The E54E-A is simple to use for heavy duty applications with low maintenance. It's your perfect solution for cleaning and sanitizing dishes, glasses, cups, mugs, cutlery and more. We guarantee an impeccable wash quality, which can meet even the needs of the most sophisticated customers.

Functions and benefits without compromise, all with lower running costs and at a very reasonable price.

Break Tank: Guarantee rinse Thermo-label Sanitation temperature at constant pressure.

Ecoclean: Water control system for partial clean water refill in every wash cycle.

Stainless steel: Adjustable rotation speed rinse arms, integral tank filter, with detergent injector welded to the tank.

Thermo-label Sanitation: Programmed to guarantee the perfect sanitation result at high rinse temperatures. The washing cycles have been specifically designed to make the dishwasher compliant with the Thermo-label standards.

LCD controls: Simple digital control panel with digital temperature display for intuitive and user-friendly operation.

High-quality products built using durable stainless steel with electromechanical components. The E54E-A is designed for energy savings with lower water and detergent consumption.



Dealer Stamp:

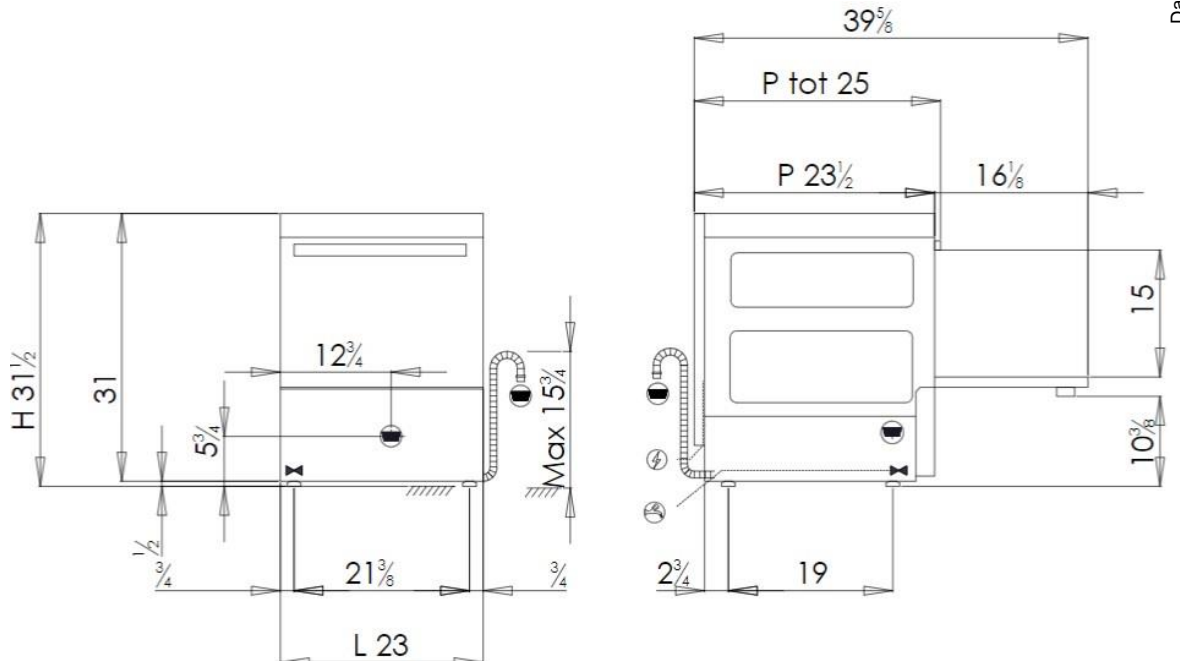
E54E-A



Technical features

- Control panel with LCD display
- ETL Sanitation to guarantee a powerful wash and sanitization with a minimum of 180°F rinse temperature
- Break Tank - AA air gap – built in rinse pump
- Thermo-label Sanitation to guarantee a powerful wash and sanitization with a high rinse temperature
- EWC System, electronic control with 4 individual programmable cycles
- Built in drain pump with Ecology Care system for partial refilling of clean water in every washing cycle
- Vacuum breaker valve
- Integral stainless steel tank filter + New filtering group for suction and drain
- Racks supplied: 1 dish basket, 1 glass basket, and 2 cutlery trays
- 1-year parts and labour warranty
- Adjustable 3L/hour detergent dispenser
- Adjustable 0.3L/hour rinse-aid dispenser
- 40 racks/hour or approximately 35 racks/hour

Uses standard racks	20" x 20" (500 x 500mm)
Door clearance	15.08" (383mm) height
Wash pump	3/4HP
Rinse pump	0.5HP
Tank heating element	2.6kW, capacity: 7gal (26L)
Booster heating element	2.5kW, capacity: 1.9gal (7.3L)
Power	3.12kW, 208/220V 60Hz, 15A 1PH
Hot water requirements	½ GPC (2.6LPC) Max 125°F (55°C), will operate with cold water at reduced capacity
Water line requirements	¾" (or ½" with ¾" NPT terminal) hose supplied
Water pressure requirements	Min 15psi Max 36psi
Drain line	1" (25mm) connection hose supplied
Dimensions	23"W x 24"D x 31¾"H (585W x 610D x 815H mm)
Weight	126lbs (57.5kg)
Shipping dimensions	26¾"W x 31½"D x 39½"H (680W x 800D x 1000H mm)
Shipping weight	153lbs (69.2kg)



Data are indicative. In the event of further development, we reserve the right to alter our design specification without notice.