

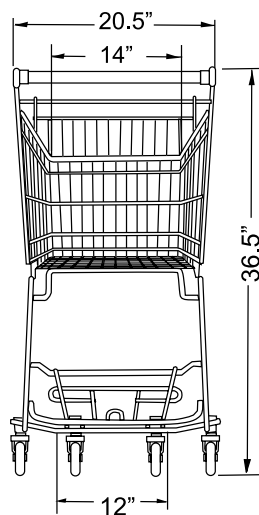
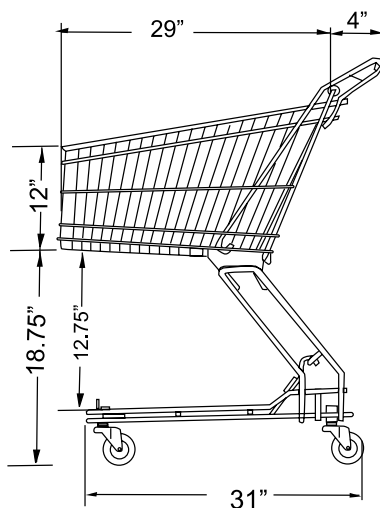
SHOPPING CARTS



MODEL GSW100

- Overall dimensions: 33" x 20.5" x 36.5"
- Load Capacity: 110 lbs. / 4 cubic feet
- Finish: zinc/ chrome
- Red plastic handles
- Corner guards
- Two front swivel casters
- Child seat with restraining strap

Item Number: 18308



OMCAN INC.
Food Machinery of America Inc.

Email: sales@omcan.com ♦ Phone: 1.800.465.0234 or 905.828.0234 ♦ Fax: 905.607.0234