

Work Tables and Sinks

Tables de travail et éviers

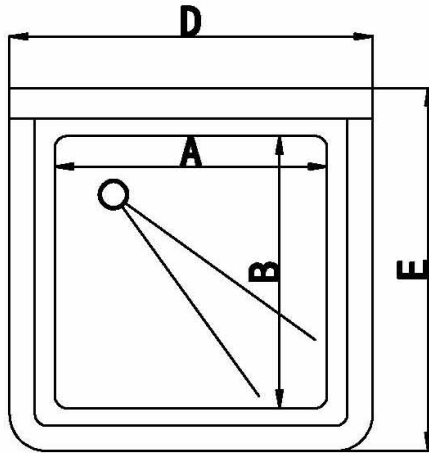
Sink Single Bowl

Évier bol single



- Heavy Duty one, two and three compartment corner drain sinks
- 18 ga. 304 Stainless Steel construction
- Detachable 1-5/8" diameter galvanized legs with 3-sided brace for greater durability
- 14" bowls
- Stainless Steel adjustable bullet feet provide extra strength and prevent corrosion
- Sink bowls are "coved" corner construction
- Drain basket, tail pipe, overflow tube and corner drain guards included for each bowl

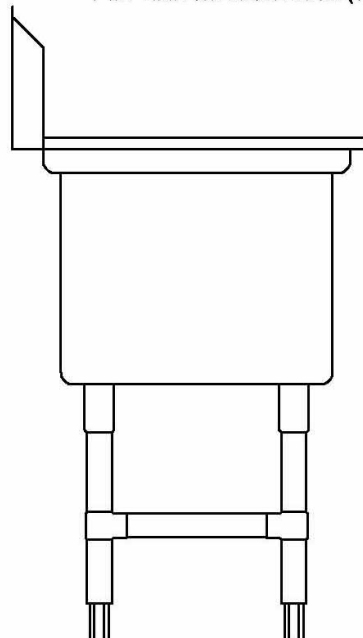
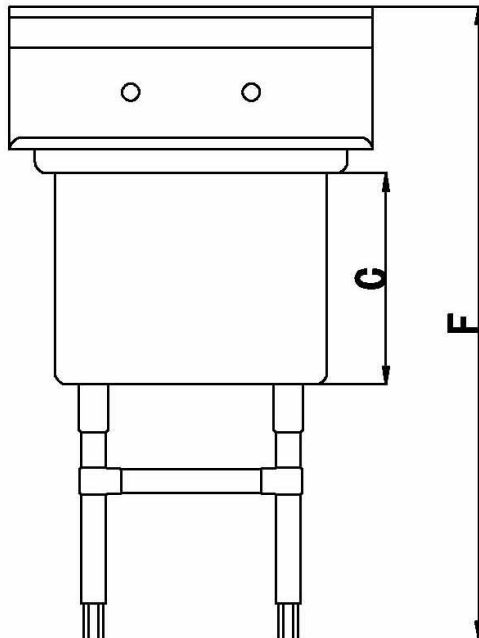
- Éviers de vidange d'angle pour un, deux et trois compartiments lourds
- Construction en 18 ga. 304 acier inoxydable
- Détachable de 1-5/8" pieds galvanisés de diamètre avec accolade à 3 côtés pour une plus grande durabilité
- 14" bols
- Les pieds de balle réglables en acier inoxydable apportent une force supplémentaire et empêchent la corrosion
- Les cuvettes d'évier sont la construction d'angle «Coved»
- Panier de vidange, tuyau de queue, tube de débordement et protège-drain d'angle inclus pour chaque bol



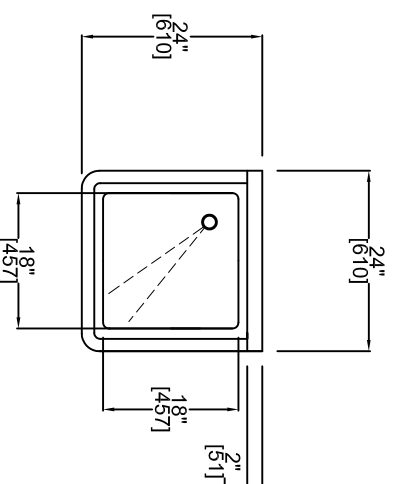
MODEL	A	B	C	D	E	F
MA-S1818-1-0	18	18	12	24	24	44 $\frac{1}{2}$

CONSTRUCTION OF 1 COMPARTMENT SINK.

MODEL: MA-S1818-1-0
 CONSTRUCTED: 18ga. S.STEEL 304 FINISH
 1 5/8" dia. LEGS and BRACES 16ga. GALVANIZED
 c/w ADJUSTABLE BULLET FEET
 SINK: 18"x18"x12" dp. ALL COVED CORNERS
 SINK SLOPE TO 2" dia. CORNER DRAINS.
 DRAIN c/w REMOVABLE STOPPER.
 REAR SPLASH TO ACCOMODATE 8" c/c TYPICAL FAUCET
 1 1/2" dia. EXTERIOR DRAIN (TYPICAL NORTH AMERICAN)

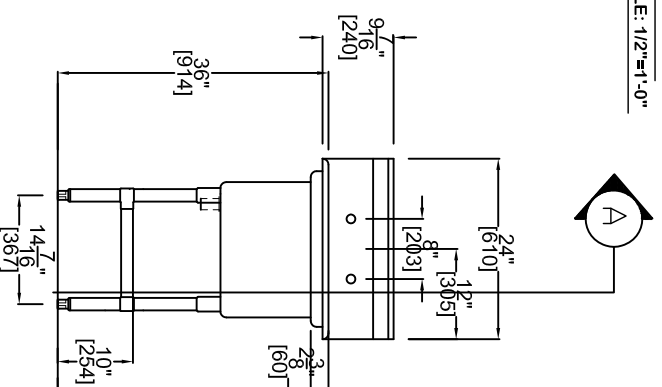


CONSTRUCTION OF 1 COMPARTMENT SINK.



PLAN

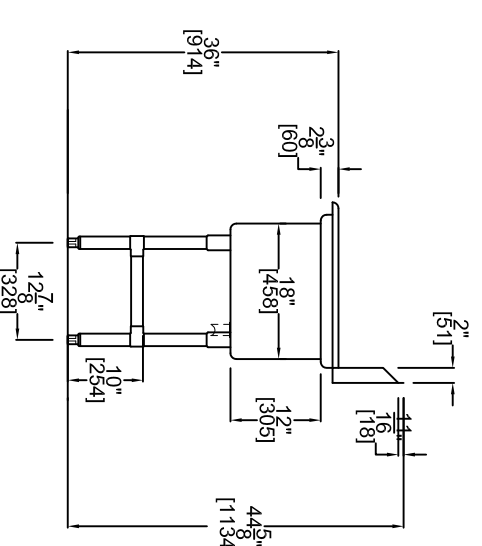
SCALE: 1/2"=1'-0"



ELEVATION

SCALE: 1/2"=1'-0"

MODEL: MA-S1818-1-0
CONSTRUCTED: 18ga. S.STEEL 304 FINISH
1 5/8" dia. LEGS and BRACES 16ga. GALVANIZED
c/w ADJUSTABLE BULLET FEET
SINK: 18"x18"x12" dp. ALL COVERED CORNERS
SINK SLOPE TO 2" dia. CORNER DRAINS.
DRAIN c/w REMOVABLE STOPPER.
REAR SPLASH TO ACCOMODATE 8" c/c TYPICAL FAUCET
1 1/2" dia. EXTERIOR DRAIN (TYPICAL NORTH AMERICAN)



SECTION A

SCALE: 1/2"=1'-0"

MODEL
MA-S1818-1-0

REVISION:

PROJECT NAME:
VARIES

DATE:
NOV. 17, 2017

MA-S1818-1-0

SCALE:

1/2" - 1'-0"

ITEM DESCRIPTION:

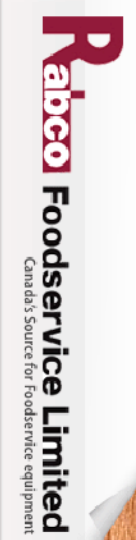
1 COMPT. SINK

PAGE:

1 of 1

SHEET No.:

1



880 Milner Avenue
 Toronto, Ontario, Canada
 M1B 5N7
 416 321-5823
 Toll Free: 1 (866) 722-2649
 www.rabcofoodservice.com