



Gas CONVECTION OVEN

Features

- Full size gas convection oven
- 3 inshot burners, 18,000 BTU each - total 54,000 BTU
- Independent glass window doors
- 2-speed, 1/2 HP fan motor (1725, 1140 rpm)
- Forced 'cool down' fan mode
- Porcelain enamel oven interior
- Oven Ready light
- Electronic ignition (Fenwal)
- Electronic thermostat (FAST) & manual timer control
- Temperature range: 150°-500°F (66°-260° C)
- Stainless steel front, sides, & top exterior
- Control panel located on right side, pull down drawer, away from burners
- 2 halogen interior lights, easy to service
- 5 nickel plated racks, 10 rack positions
- Anchor point on rear of oven for restraining cable
- Single Oven-requires IGCO Leg Kit (sold separately)
- Double Oven-requires two IGCO ovens and IGCO Stacking Kit (sold separately)
- **Available in Natural gas(NG) or Liquid propane(LP).**
A conversion kit is supplied with each unit



IGCO oven with leg kit

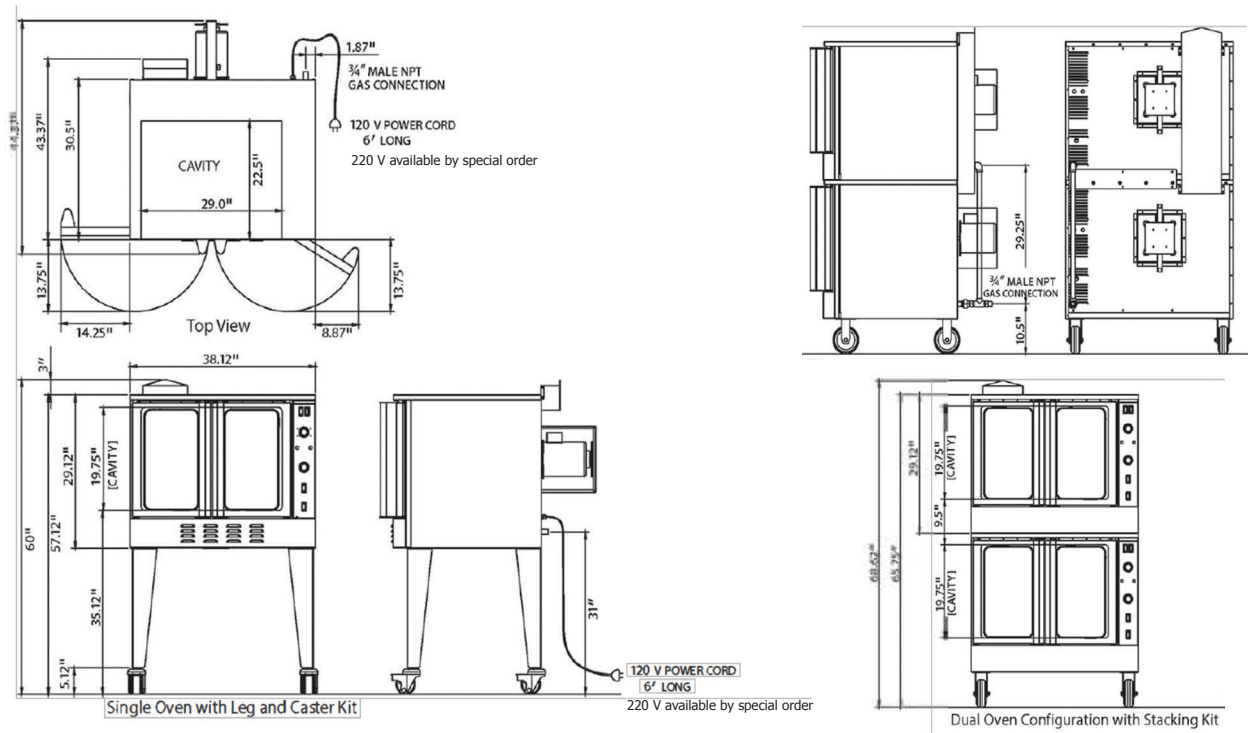


Two IGCO ovens with stacking kit



Gas CONVECTION OVEN

Dimensions in inches



Specifications

Model	Overall Dimensions	Oven Interior	Rack Clearance	Shipping Crate(s)
IGCO SINGLE	38.12"W x 44.37"D x 60"H (96.8cm x 112.7cm x 152.4cm)	29" W x 22.5" D x 19.37" H (74cm x 57cm x 50cm)	28"W x 21"D (72cm x 53.3cm)	45.3"W x 49.2" D x 37" H, 48 cu ft., 511 lbs (115cm x 125cm x 99cm, 1.35 cu m., 232kgs)
IGCO DUAL	38.12"W x 44.37"D x 65.62"H (96.8cm x 112.7cm x 166.7cm)	29" W x 22.5" D x 19.37" H (74cm x 57cm x 50cm)	28"W x 21"D (72cm x 53.3cm)	2 Single Oven Crates, Total, 96cu ft., 1022 lbs. (2.7cu m., 464kgs.)

GAS REQUIREMENTS

- Natural Gas or Liquid Propane (LP) Gas main supply required
- A conversion kit is supplied with each unit. In order to avoid any warranty issues, conversion of your unit must be completed by an authorized Ikon service agent.
- 3/4" NPT gas connection
- Natural gas 4" W.C., LP gas 10" W.C.
- Order Oven Body quantity and leg configuration as desired:
- IGCO Convection Oven only
- IGCO Single Oven Leg Kit (Casters and Feet included)
- IGCO Dual Oven Stacking Kit (HD Casters, Flue, Hardware)

Leg or Stacking Kits	Shipping Carton	Weight
IGCO SINGLE LEG AND CASTER KIT	29.9"W x 18.1"D x 8.7"H (76cm x 46cm x 22cm)	41lb 18.5kg
IGCO DUAL STACKING KIT	38.2"W x 11.8"D x 6.7"H (97cm x 30cm x 17cm)	35lb 16kg