

**Refrigeration Equipment  
Reach-In Refrigerator, 2 Door,  
49 cu.ft - Stainless Steel (R290)**

ITEM # \_\_\_\_\_

MODEL # \_\_\_\_\_

NAME # \_\_\_\_\_

SIS # \_\_\_\_\_

AIA # \_\_\_\_\_



**738242 (KCHRI54R2DRE)** 2-door reach-in refrigerator, stainless steel, 49 cubic feet, R290 refrigerant gas, +33/+41 °F - Energy Star

**Short Form Specification**

Item No. \_\_\_\_\_

2 full doors refrigerator with exterior back and bottom panels in galvanized steel, exterior side and top panels in 430 stainless steel; interior back, side, top and bottom panels in 304 stainless steel. Control with cabinet temperature display. Self-closing and on-site reversible door feature lock and key.

R290 gas in the refrigeration circuit.  
ETL Safety and Sanitation certifications.  
3/5 Years warranty.

**Main Features**

- External temperature display.
- Removable door gasket for easy cleaning operations.
- Hydrocarbon refrigerant gas R290 for the lowest environmental impact (GWP=3) - CFC and HCFC free.
- Fin & Tube Condenser improves performance in high temperature environments.
- Automatic Defrost Cooling System provides worry-free performance.
- Electronic Temperature Control, quick and simple to set, with control display for easy monitoring.
- Heavy duty Vinyl coated steel shelves.
- CFC and HCFC free, highly ecological refrigerant type: R290 (ecological gas in foam: cyclopentane). Hydrocarbon refrigerant gas R290 for the lowest environmental impact (GWP=3), to reduce green house and ozone depletion effects.
- High efficiency components to minimize the energy consumption still guaranteeing the highest performances.
- Cabinet and door insulated with high density polyurethane for low environmental impact.
- Bottom mounted cooling unit slides out for easy access and cleaning.
- Interior LED light to save energy and for best internal visibility.

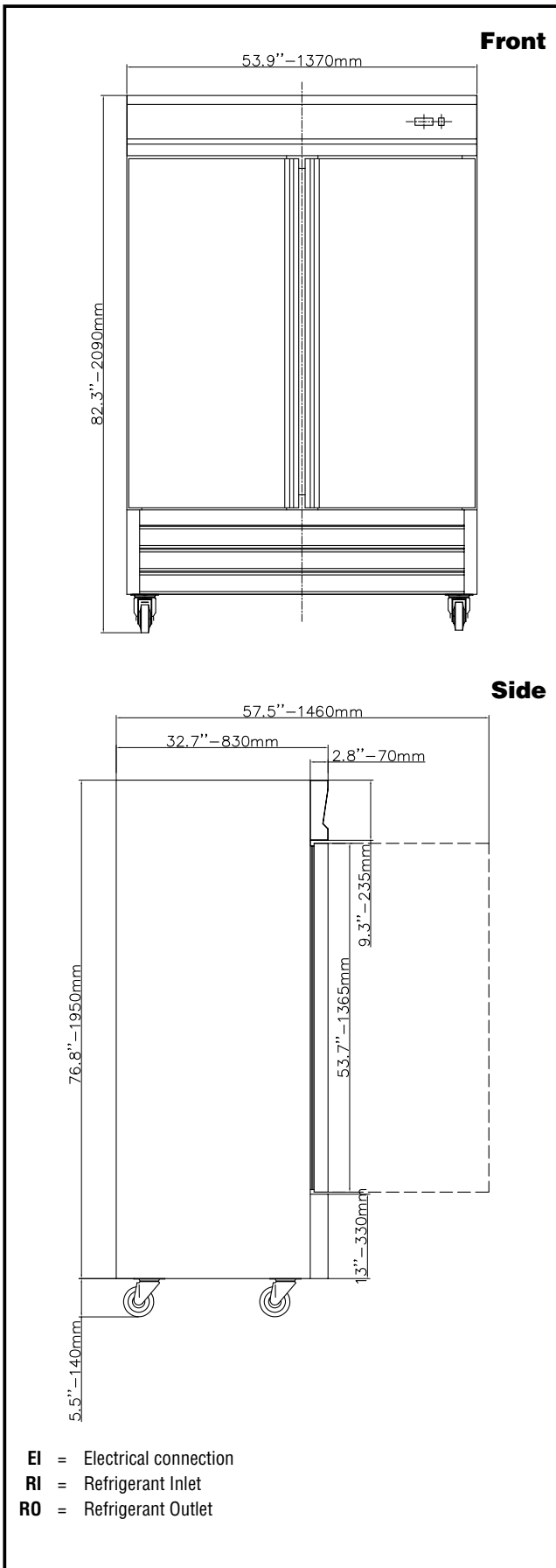
**Construction**

- Self-closing door with 90-degree stay-open feature.
- Heavy duty casters.
- Lockable door.
- Pre-wired heavy duty power cord.
- Heavy duty door hinges.
- Magnetic door gasket removable without tools for easy cleaning.

**Optional Accessories**

- shelf for 54" and 81" (left/right) reach-in  PNC 880591
- shelf clips  PNC 880611

APPROVAL: \_\_\_\_\_



## Electric

Supply voltage:	115 V/1 ph/60 Hz
738242 (KCHRI54R2DRE)	
Electrical power, max:	0.5 kW
Current consumption:	4.5 Amps
Plug type:	USA NEMA 5-15P

## Key Information:

Capacity (Cu. Ft.)	49
Door hinges:	1 Left+1 Right
External dimensions, Width:	53 15/16" (1370 mm)
External dimensions, Depth:	32 11/16" (830 mm)
External dimensions, Height:	82 1/4" (2090 mm)
Number and type of doors:	2 Full
Internal Dimensions (depth):	27 1/16"
Internal Dimensions (height):	60 1/4"
Internal Dimensions (width):	49 7/16"
Shipping height:	84 5/8" (2150 mm)
Shipping weight:	489 lbs (222 kg)
Shipping volume:	92.27 ft <sup>3</sup> (2.61 m <sup>3</sup> )
Number and type of grids (included):	6 - Vinyl-Coated Steel
Type of external material:	430 AISI
Type of internal material:	304 AISI
Warranty:	3 / 5 years

## Refrigeration Data

Compressor Horsepower:	1/4
Refrigerant type:	R290
Refrigerant weight:	105 g
Operating temperature min.:	32 °F
Operating temperature max.:	41 °F
Condenser type:	Fin & tube
Defrost type:	Auto Defrost