



12 CU. FT. MEGA TOP PREP TABLE

KCMT48.18



Fin & Tube Condenser improves performance in high temperature environments

Automatic Defrost Cooling System provides worry-free performance

1/3 HP Compressor

Stainless Steel Exterior & Interior

Electronic Control

Removable Door Gaskets

Holds 1/6 Pans

Adjustable Shelves Vinyl-Coated Steel

Self-Closing Doors with 90-degree stay-open feature

Heavy Duty Casters

Insulated Lid helps maintain food freshness



TECHNICAL SPECIFICATIONS

| MODEL | KCMT48.18 |
|----------------------------------|-----------------------|
| Product Line | Mega Top Prep Table |
| Capacity (Cu. Ft.) | 12.0 |
| Condenser Type | Fin & Tube |
| Automatic Defrost Cooling System | Yes |
| Compressor Horsepower | 1/3 |
| Exterior Finish | Stainless Steel (430) |
| Interior Finish | Stainless Steel (304) |
| Cutting Board Dimensions (HxWxD) | .79 x 46.69 x 8 |
| Pan Allocation | (18)1/6 |
| Shelves (Number/Type) | 2/Vinyl-Coated Steel |
| Control | Electronic |
| Temperature Range | 32 to 50°F |
| Voltage Rating | 115V/60Hz |
| Run Amps | 7.8 |
| Plug Type | NEMA 5-15P |
| Shipping Weight (Lbs.) | 341 |
| Warranty | 3 Year/5 Year |

Electronic Digital Temperature Control

Quick set digital control and display for easy monitoring.

Stainless Steel Interior

Durable and easy to clean for daily commercial use.

Full-Depth Cutting Boards

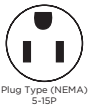
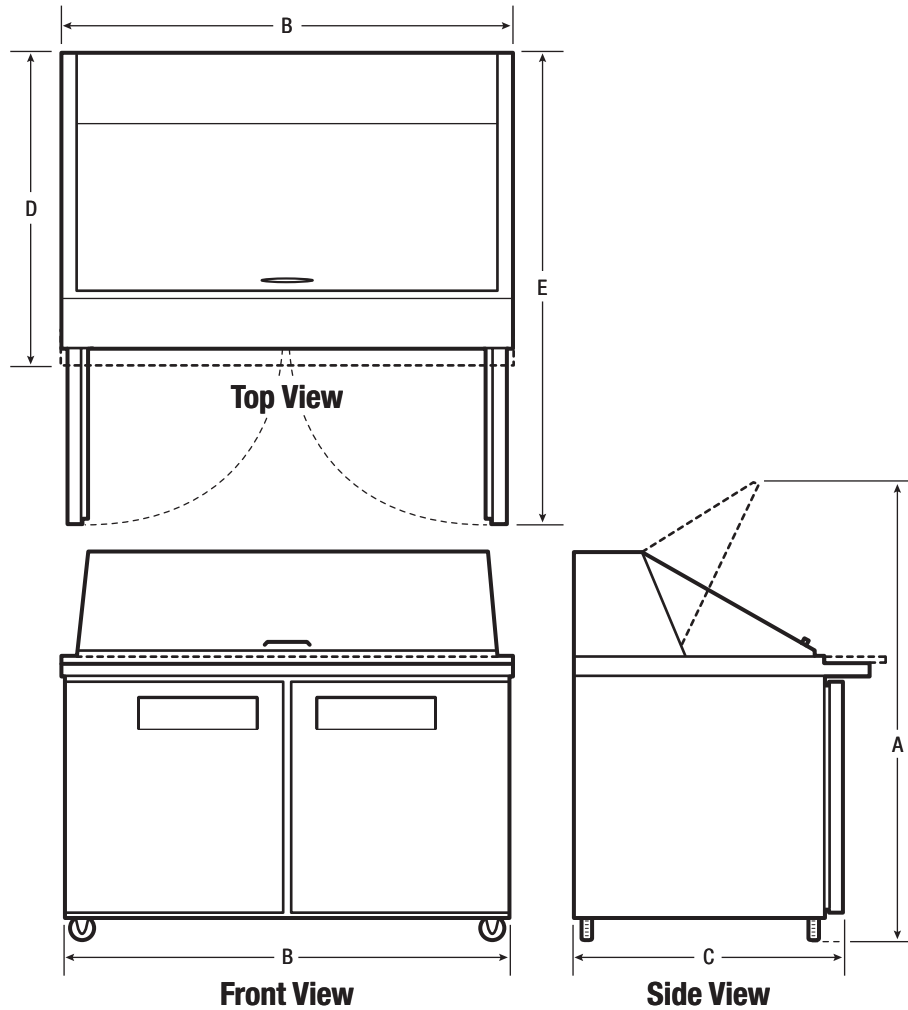
Preparation area designed for work station convenience and safe food handling.





12 CU. FT. MEGA TOP PREP TABLE

KCMT48.18



Plug Type (NEMA)
5-15P

EXTERIOR DIMENSIONS

| | |
|--|---------|
| Height with Lid Open (w/ Casters) A | 52" |
| Width B | 46-3/4" |
| Depth (Including Door&Handle) C | 29" |
| Overall Depth (Including Cutting Board) D | 35" |
| Depth (with Door 90° Open) E | 51" |

CERTIFICATIONS AND APPROVALS

| | |
|--------------------------|-----|
| Safety Certification | ETL |
| Sanitation Certification | ETL |

POPULAR PARTS

| | |
|---------------|------------|
| Shelf | 5304493458 |
| Shelf Clip | 297121900 |
| Pan Divider | 5304493461 |
| Cutting Board | 5304493412 |



USA • 10200 David Taylor Drive • Charlotte, NC 28262 • 1-866-738-1640 • kelvinator.com
CANADA • 5855 Terry Fox Way • Mississauga, ON L5V 3E4

KCMT48.18 11/15

© 2015 Electrolux Home Products, Inc.

High standards of quality at Electrolux Home Products, Inc. mean we are constantly working to improve our products. We reserve the right to change specifications or discontinue models without notice.