



23 CU. FT. REACH-IN FREEZER

KCBM23FSE



Fin & Tube Condenser improves performance in high temperature environments

Automatic Defrost Cooling System provides worry-free performance

3/4 HP Compressor

Stainless Steel Exterior & Interior

Electronic Control

External Temperature Display

Removable Door Gasket

Adjustable Shelves

Self-Closing Door with 90-degree stay-open feature

Lock & Key protects the contents of the unit

Heavy Duty Casters

Field Reversible Door*



* Requires purchase of Door Reversing Kit.

TECHNICAL SPECIFICATIONS

MODEL	KCBM23FSE
Product Line	Freezer
Capacity (Cu. Ft.)	23.0
Condenser Type	Fin & Tube
Automatic Defrost Cooling System	Yes
Compressor Horsepower	3/4
Exterior Finish	Stainless Steel (430)
Interior Finish	Stainless Steel (304)
Shelves (Number/Type)	3/Vinyl-Coated Steel
Control	Electronic
Temperature Display Location	External
Temperature Range	-7 to 10°F
Voltage Rating	115V/60Hz
Run Amps	8.3
Plug Type	NEMA 5-15P
Shipping Weight (Lbs.)	358
Warranty	3 Year/5 Year



Electronic Digital Temperature Control

Quick set digital control and display for easy monitoring.



Stainless Steel Interior

Durable and easy to clean for daily commercial use.



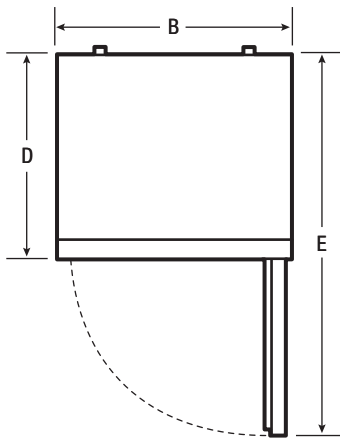
Vinyl Heavy Duty Adjustable Shelves

Shelves that are easy to handle and keep clean.

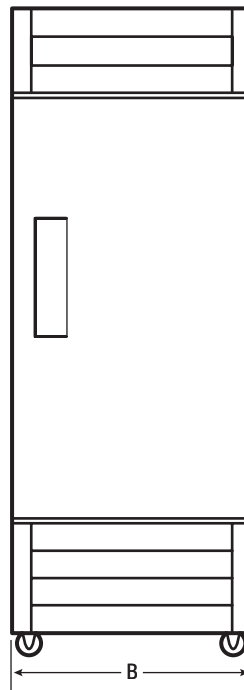


23 CU. FT. REACH-IN FREEZER

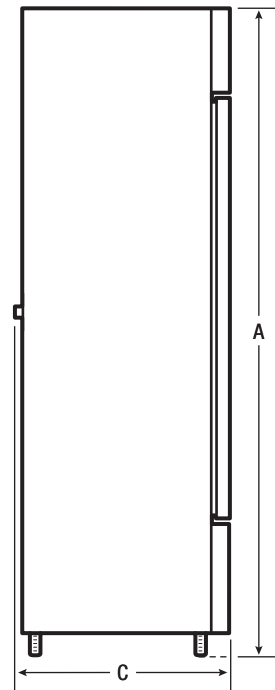
KCBM23FSE



Top View



Front View



Side View



Plug Type (NEMA)
5-15P

EXTERIOR DIMENSIONS

Height A (Including Casters)	83"
Width B	29"
Overall Depth (Including Door&Handle) C	32"
Cabinet Depth D	29-1/2"
Depth (with Door 90° Open) E	58-1/2"

CERTIFICATIONS AND APPROVALS

ENERGY STAR® Qualified	Yes
Safety Certification	ETL
Sanitation Certification	ETL

POPULAR PARTS

Shelf	5304492224
Shelf Rail	5304492223
Door Reversing Kit	5304493445
Pan Rack Kit	5304500994



USA • 10200 David Taylor Drive • Charlotte, NC 28262 • 1-866-738-1640 • kelvinator.com
 CANADA • 5855 Terry Fox Way • Mississauga, ON L5V 3E4

KCBM23FSE 11/15

© 2015 Electrolux Home Products, Inc.

High standards of quality at Electrolux Home Products, Inc. mean we are constantly working to improve our products. We reserve the right to change specifications or discontinue models without notice.