



11.8 CU. FT. BACK BAR REFRIGERATOR

KCBB48GB



Fin & Tube Condenser improves performance in high temperature environments

Automatic Defrost Cooling System provides worry-free performance

1/3 HP Compressor

Painted Steel Exterior / Stainless Steel Interior

Mechanical Control

Adjustable Shelves Vinyl-Coated Steel

Stay-Open Self-Closing Doors

Locking Doors & Key protect the contents of the unit



TECHNICAL SPECIFICATIONS

MODEL	KCBB48GB
Product Line	Refrigerator
Door(s)/Type	2 Door Swing
Capacity (Cu. Ft.)	11.8
Condenser Type	Fin & Tube
Automatic Defrost Cooling System	Yes
Compressor Horsepower	1/3
Exterior Finish	Painted Steel
Interior Finish	Stainless Steel (304)
Shelves (Number/Type)	4/Vinyl-Coated Steel
Control	Mechanical
Temperature Display Location	External
Temperature Range	32 to 38°F
Voltage Rating	115V/60Hz
Run Amps	6.4
Plug Type	NEMA 5-15P
Shipping Weight (Lbs.)	350
Warranty	3 Year/5 Year



Mechanical Control

Select temperatures as required.



Locking Doors

Secure the inventory.



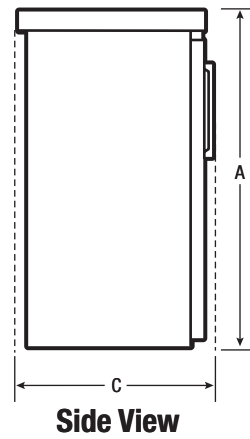
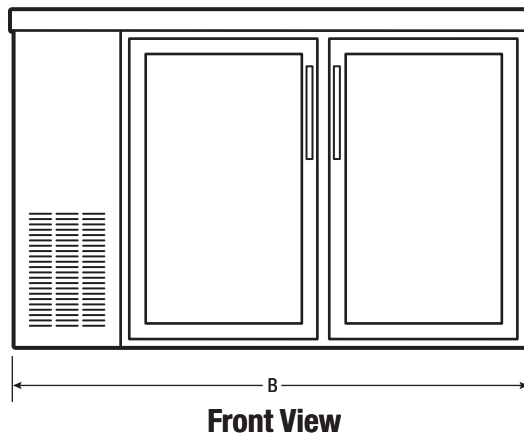
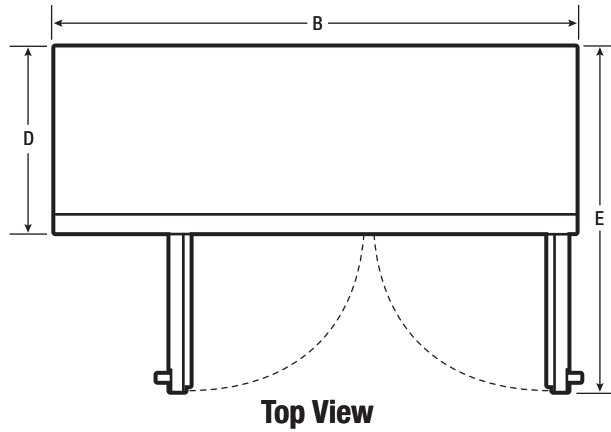
Heavy Duty Adjustable Shelves

Shelves that are easy to handle and keep clean.



11.8 CU. FT. BACK BAR REFRIGERATOR

KCBB48GB



Plug Type (NEMA)
5-15P

EXTERIOR DIMENSIONS

Height A	36"
Width B	48-7/8"
Overall Depth (Including Door&Handle) C	24-1/2"
Cabinet Depth D	24-1/2"
Depth (with Door 90° Open) E	42"

CERTIFICATIONS AND APPROVALS

Safety Certification	ETL
Sanitation Certification	ETL

POPULAR PARTS

Shelf	5304497341
Shelf Clip	297121900



USA • 10200 David Taylor Drive • Charlotte, NC 28262 • 1-866-738-1640 • kelvinator.com
 CANADA • 5855 Terry Fox Way • Mississauga, ON L5V 3E4

KCBB48G 11/15

© 2015 Electrolux Home Products, Inc.

High standards of quality at Electrolux Home Products, Inc. mean we are constantly working to improve our products. We reserve the right to change specifications or discontinue models without notice.