



Project \_\_\_\_\_  
 AIA # \_\_\_\_\_ SIS # \_\_\_\_\_  
 Item # \_\_\_\_\_ Quantity \_\_\_\_\_ C.S.I. Section 114000



## HCM450 Cutter Mixer



### SPECIFIER STATEMENT

Specified cutter mixer has a 45-quart manually operated mixing baffle, polypropylene strainer basket with cut/mix attachment and knead/mix attachment. Unit has a 6 foot power cable with plug and power receptacle.

### MODELS

- HCM450** 45-quart cutter mixer with stainless steel bowl, stainless steel mixing baffle, cut/mix knife, knead/mix attachment and 6' power cable with plug and receptacle
- HCM450C** 45-quart cutter mixer with maximum security correctional package

### STANDARD FEATURES

- + 5 HP motor
- + 45-quart capacity stainless steel bowl with pouring lip
- + Durable steel base with epoxy enamel finish
- + Electromechanical safety interlocks
- + Start/stop push button switches
- + 5 minute timer with "hold" and "jog" settings
- + Counterbalanced clear Lexan® polycarbonate bowl cover with stainless steel support bar
- + Bowl tilt lever
- + Stainless steel mixing baffle with pour-through center shaft
- + 2 blade cut/mix knife
- + Knead/mix attachment
- + Polypropylene strainer basket
- + 6' power cable, plug and receptacle

### ACCESSORIES

- Casters

Voltage	Plug & Receptacle	Optional Pendant
200/60/3	Hubbell 2811/L21-30P Hubbell 2810/L21-30R	Hubbell 2810/L21-30R
230/60/3	Woodhead 28W75 L15-30P Woodhead 69W75 L15-30R	Woodhead 69W75 L15-30R

**Base:** Rectangular steel tubing, formed and welded. Finished in gray epoxy-based enamel.

**Net Weight:** 282 lb.

**Shipping Weight:** 362 lb.

HCM450 CUTTER MIXER

Approved by \_\_\_\_\_ Date \_\_\_\_\_ Approved by \_\_\_\_\_ Date \_\_\_\_\_

## SOLUTIONS / BENEFITS

### PERFORMANCE

#### 5 HP Motor

- + Dual voltage configuration with thermal overload protection
- + Motor shaft is stainless steel

### EASE OF USE

#### 5-Minute Timer

- + Automatically shuts off machine after time set has elapsed
- + Non-timed operation obtained by setting timer on run or jog.

#### Bowl Tilt Lever

- + Allows bowl to tilt to a 90 degree angle for easy pouring and removal of product
- + Makes clean up easy

### SANITATION & CLEANING

#### Stainless Steel Mixing Baffle

- + Built-in scraper helps keep the cover clean during operation, and enables easy cleaning of the cover before opening
- + Baffle removable for cleaning

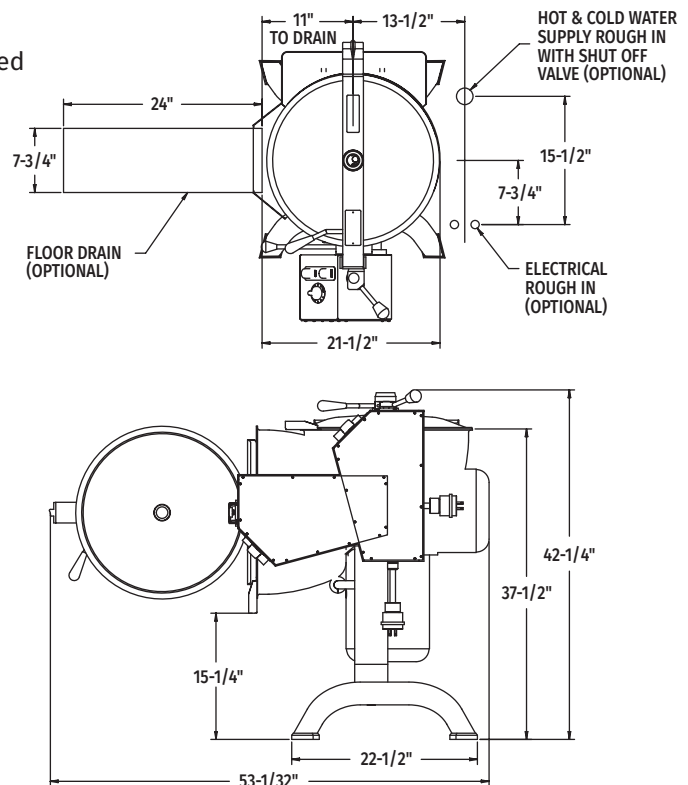
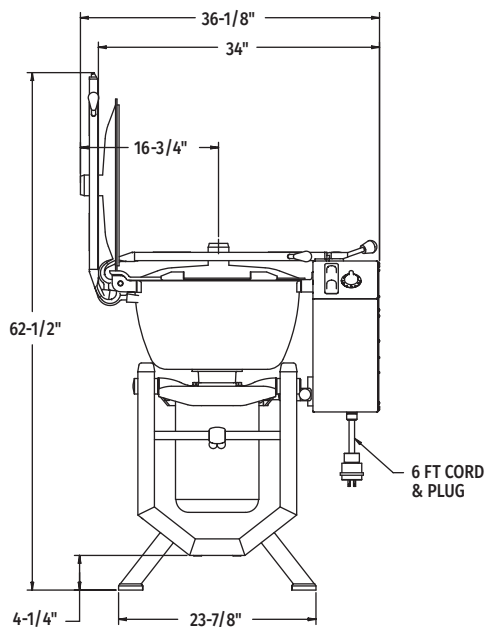
#### Counterbalanced Clear Lexan® Polycarbonate Bowl Cover

- + Exclusive pour-through center shaft allows for adding liquid ingredients with the cover closed

### OPERATOR ASSURANCE

#### Electromagnetic Interlocks

- + Prevents operation unless bowl cover is closed & latched
- + Prevents operation if bowl is tilted beyond 20 degrees from vertical position



## SPECIFICATIONS

**Motor:** Dual voltage configuration with thermal overload protection, single speed, 1140 RPM, totally enclosed, externally fan cooled, ball bearings, grease packed and sealed. Motor shaft is stainless steel.

**Electrical:** 200/60/3 and 230/60/3 – U L Listed.

**Controls:** Magnetically operated start and stop selectors are completely sealed and washable. All electrical controls are housed in a high impact resistance, reinforced polyester enclosure.

**Power Cable, Plug and Receptacle:** 6 foot, flexible type “SO” cable with grounding polarized plug. A grounding polarized power receptacle is furnished. See chart for proper size and voltage.

**Branch Power Circuit Requirements:** 200 or 230/60/3 machine should be connected to a 30 amp service, 22 amps drawn

**Bowl, Bowl Cover:** 45-quart bowl will tilt 90 degrees to a pour height of 15 $\frac{3}{8}$ ” from the floor. All stainless steel. Cover is  $\frac{3}{16}$ ” clear Lexan® Polycarbonate that seals effectively without a gasket. Counterbalanced for ease of handling. Cover support bar is stainless steel.