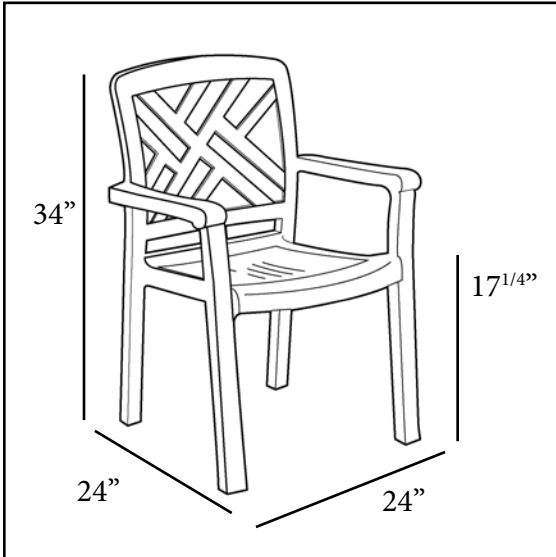




# Sanibel Classic Stacking Armchair



**Passes ASTM F 1561-96 Class B performance standard for commercial outdoor seating**

**Features & Benefits** **Warranty: 3 Yrs.**

- Elegant and sturdy highback armchair for fine dining.
- Decorative chippendale back design.
- Spacious seat and wide armrests for extra comfort.
- Rated to 300 pounds for safe use in a commercial environment.
- Wood grained with a satin finish.
- 2" x 2" leg with hard wearing footpads for structural rigidity.
- Made of 100% prime resin, a material impervious to salt air, chlorine, and most common food stains.
- Specifically formulated to provide long lasting resistance to U.V. light discoloration.
- Easy to clean with soap and water.
- Stacks for easy storage.

<b>Product Specifications</b>						
Product Description	Reference Number	Color	UPC Code	Weight Each (lbs.)	Master Pack	Master Pack Volume (cu. ft.)
Sanibel Stacking Armchair	45451408	Teakwood	139890	10.30	12	40.42
	US451408	Teakwood	139890	10.25	4	16.92