



- Electronic undercounter dishwasher;
- Stainless steel construction 18/10 AISI 304;
- **Wash cycle time: 2'-3'-4' minutes;**
- **Endless cycle : max 15 minutes;**
- Soft touch electronic control panel;
- Temperature's electronic display;
- **Double skin with thermic and acoustic insulation;**
- **Cycle start with soft-start system;**
- Stainless steel lower and upper rotating wash arms;
- Stainless steel lower and upper rotating rinse arms;
- Self-washing slanted tank with rounded edges;
- Integral tank filters;
- Pressed self-cleaning door;
- Extractable control panel for an easy maintenance;
- Rinse aid dispenser;
- Detergent pump,
- Automatic tank loading;
- Door opening safety device;
- Thermocontrol: device which guarantees the selected temperature for every rinsing cycle even in case of non-stop work;
- Security thermostat;
- Certifications: UL, UL Sanitation;



**SIZE:**  
**23 5/8" W x 25 1/2" D x 32 1/4" H**  
**Cycle period: 2'-3'-4' minutes**  
**Capacity per hour:**  
**Baskets/H 30/20/15**  
**Dishes/H : 540/360/270**  
**Dishes per basket 12÷18**

# F92-s F92-dps

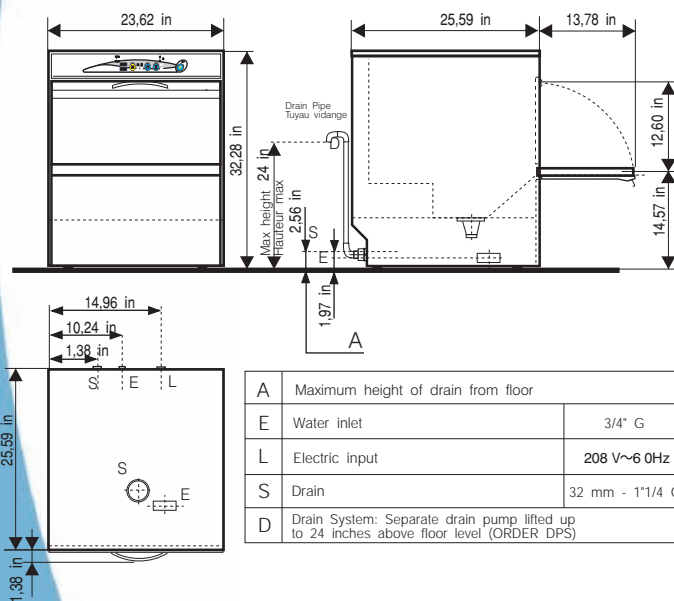
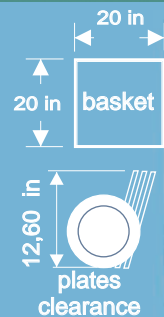
### Accessories:

- 2 baskets for dishes;
- 1 generic basket;
- 2 cutlery containers;

### OPTIONS

- Tank drain unit with filter,
- Stainless steel base H17,72 inch,

Specifications	F92-s/dps	
VOLTAGE	208 V1ph 60Hz	V
WASHING PUMP	650	W
WASH TANK ELEMENTS	2000	W
RINSE TANK ELEMENTS	6000	W
TOTAL RATING	6650	W
MAX CURRENT INTENSITY	34	A
PLATES CLEARANCE	12,60	inch
WORK HEIGHT	14,57	inch
TANK CAPACITY	4,8	Gal.
BOILER CAPACITY	1,6	Gal.
PUMP DELIVERY	69	Gal/min
WATER CONNECTION	131	°F
WATER CONSUMPTION PER CYCLE	2,40	Lt.
WATER CONSUMPTION PER HOUR	52	Lt.
WATER PRESSURE	20±5	psi
WATER HARDNESS	5 ÷ 10	TH(°F)
RINSING WATER TEMPERATURE	179 ÷ 194	°F
WATER INLET	3/4"	"G
WATER OUTLET	1"1/4	"G
NET WEIGHT	152	Lbs
GROSS WEIGHT	165	Lbs
PACKING SIZE	/24,80xL28,37xH44,09	inch
NOISE LEVEL	<60	dB(A)



The manufacturer reserves the right to make modifications of materials and models without warning.