

**efi** sales Ltd.

Equipment for the Foodservice Industry

value + quality + service

## Hot Show Cases

HCGS-1426



### HCGS-1426

### Features

#### Features:

- Brilliant internal LED illumination on top
- Adjustable temperature controller
- Temperature display
- Adjustable chrome plated shelves
- Back hinge door

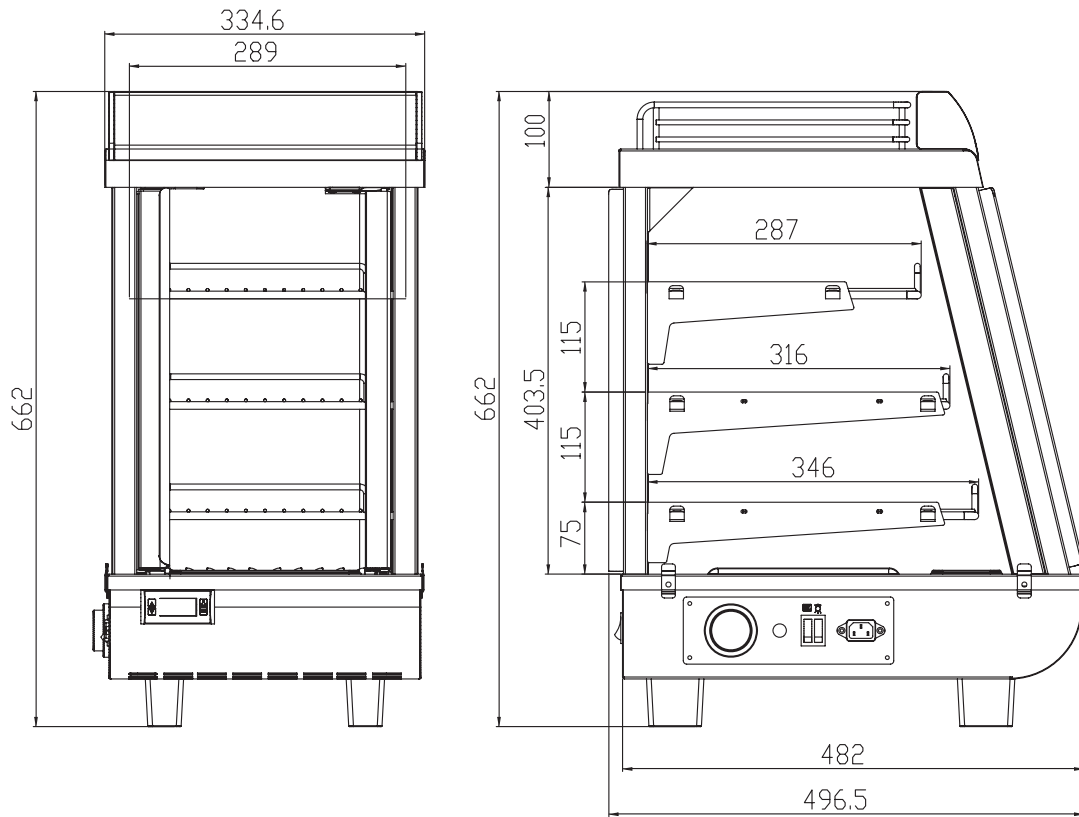
#### Warranty:

- One year limited warranty parts and labour
- Specifications subject to change without notice



**HCGS-1426**

**Specifications**



Model	Dimension			Voltage	Amps	Capacity (L) (Cu Ft.)	Net Weight (KG) (LBS)	Temperature Range
	L	D	H					
HCGS-1426	345	484	662.5	115/60	7.6	76	21.2	30-90°C
	13.6	19.1	26.1					