



Equipment for the Foodservice Industry

value + quality + service

## Undercounter Freezer

FUDR2-48VC



### FUDR2-48VC

### Features

#### Features:

- Exterior & interior stainless steel construction
- Environmentally friendly R290 refrigerant
- Heavy duty Embraco compressor
- Efficient refrigeration system
- Recessed drawer handle
- Removable gasket that is easy to clean and replace
- Casters for easy movement

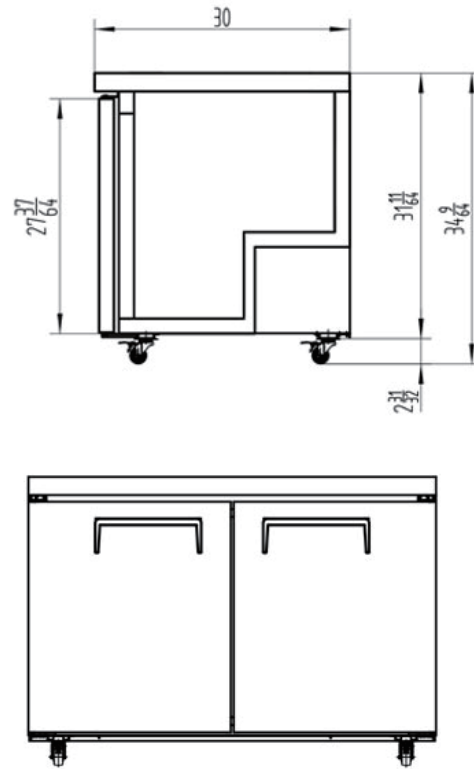
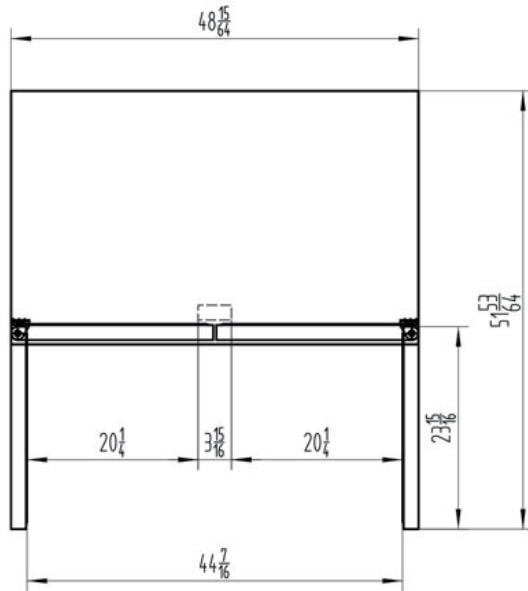
#### Warranty:

- Two year parts and labour; Five years on compressor. For full warranty details visit <https://www.efifoodequip.com/warranty-info.php>



**FUDR2-48VC**

**Specifications**



Model	Refrigerant	Doors	Shelves	Dimension (mm) (inch)			HP	Voltage	Amps	Capacity (L) (Cu Ft.)	Net Weight (KG) (LBS)	Temperature Range
				L	D	H						
FUDR2-48VC	R290	2	2	1225	762	866	1/3	115/60	2.6	379	92	-8 ~ -1°F
				48.2	30.0	34.1				13.4	202	-22 ~ -18°C

Equipped with one NEMA 5-15P plug 

**Shipping Information**

Crate Dimensions (mm) (inch)			Net Weight (KG) (LBS)	Gross Weight (KG) (LBS)
L	D	H		
1280	831	980	92	111
50.4	32.7	38.6	203	245

Specifications subject to change without notice.