

Pourover Coffee Brewer with 3 Warmers

Features

Low Profile Pourover Coffee Brewer

- Brews 3.8 gallons (14.4 liters) of perfect coffee per hour.
- Pourover brewer requires no plumbing – completely portable.
- Stainless steel or black decor.
- Three separately controlled warmers.
- SplashGard® funnel deflects hot liquids away from the hand.
- International electrical configurations available.



Model VP17-3T SS

(decanters not included)

Dimensions: 18.9" H x 8.5" W x 17.7" D
(48cm H x 21.6cm W x 45cm D)



Model VP17-3 BLK

(decanters not included)

Dimensions: 17.8" H x 16.4" W x 17.7" D
(45.2cm H x 41.7cm W x 45cm D)

Related Products

Paper Filter Pack

Product No. : 20115.6000

Packed per case: 1,000

Dimensions: 4 $\frac{1}{4}$ " Base x 2 $\frac{3}{4}$ " Sidewall
10.8 cm Base x 6.98 cm Sidewall



Easy Pour® black decanter

Product No. : 06100.0201

Quantity: 1 (also packaged in quantities of 3 & 24)



WX1-warmer

Product No. : 06450.6000

One position warmer



Easy Pour® orange decanter (decaf)

Product No. : 06101.0201

Quantity: 1 (also packaged in quantities of 3 & 24)



WX2-warmer

Product No. : 06310.6000

Two position warmer



Model

VP17-3 SST

VP17-3 BLK

Agency Listing



Dimensions & Specifications



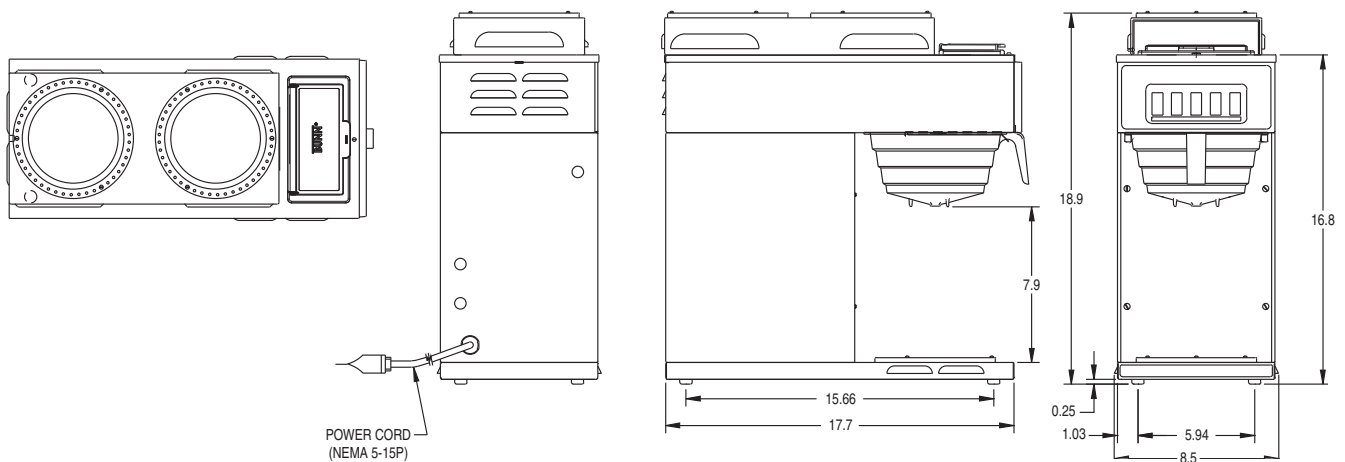
| Model | Product # | Volts | Amps | Heater Watts | Total Watts | Capacity per hour | Cubic ft ³ /m ³ | Weight lbs. / kg. | Cord Attached |
|--------------------------------|------------|-------|------|--------------|-------------|--------------------|---------------------------------------|-------------------|---------------|
| VP17-3 BLK (3 lwr) | 13300.6004 | 120 | 12.5 | 1150 | 1500 | 3.8 gal/14.4 liter | 6.9/0.2 | 36 lbs.(16.3 kg) | Yes* |
| VP17-3 SS (3 lwr) | 13300.6005 | 120 | 12.5 | 1150 | 1500 | 3.8 gal/14.4 liter | 6.9/0.2 | 36 lbs.(16.3 kg) | Yes* |
| VP17-3T BLK (2 up) | 13300.6028 | 120 | 12.5 | 1150 | 1500 | 3.8 gal/14.4 liter | 3.1/0.1 | 25 lbs.(11.4 kg) | Yes* |
| VP17-3T SS (2 up) [†] | 13300.6011 | 120 | 12.5 | 1150 | 1500 | 3.8 gal/14.4 liter | 3.1/0.1 | 25 lbs.(11.4 kg) | Yes* |

*Power cord (NEMA 5-15P) 15 amp 120 V machine only. [†]Includes Stainless Steel Funnel
 Brewing capacity: based upon incoming water temp of 60°F (140°F rise) per 1/2 gallon brew time of 4 minutes.

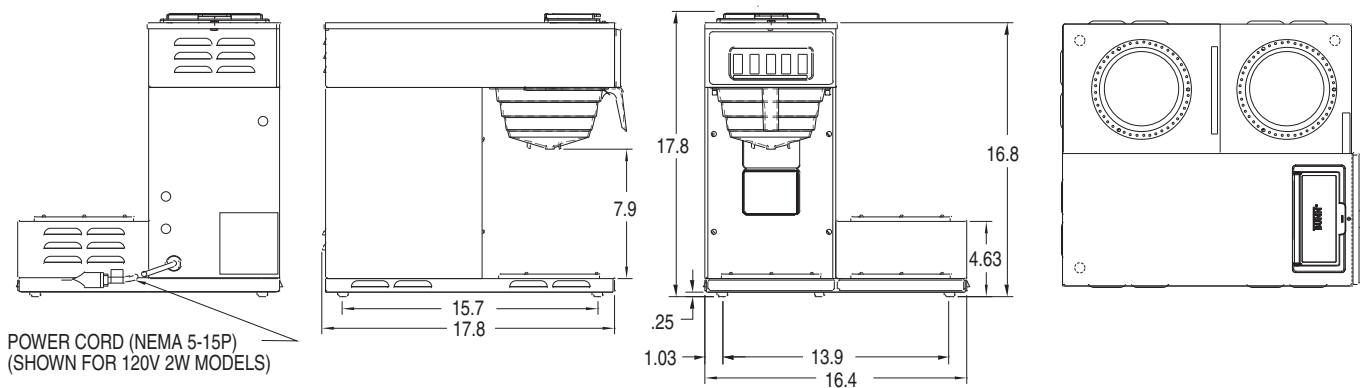
Electrical: Models require 2-wires plus ground service rated 120V, single phase, 60 Hz.

Plumbing: No plumbing required.

2 Upper Warmers



3 Lower Warmers



Bunn-O-Matic® Corporation of Canada • 280 Industrial Pkwy South, Aurora Ontario. L4G 3T9 • (905) 841-2866 • www.bunn.com

BUNN® practices continuous product research and improvement. We reserve the right to change specifications and product design without notice. Such revisions do not entitle the buyer to corresponding changes, improvements, additions or replacements for previously purchased equipment.

All dimensions shown in centimeters.